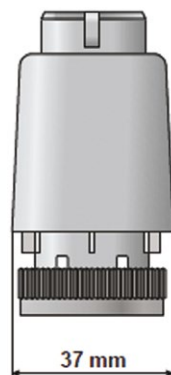
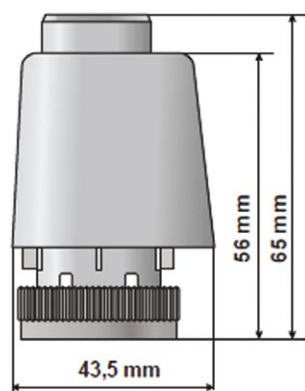




## TECHNICAL DATA:

### ACTUATOR FOR UNDERFLOOR HEATING MANIFOLDS



			SINGLE PACK			MULTIPACK			POLLET		
INDEX	MODEL	NET WEIGHT (g)	QUANTITY	DIMENSIONS (cm)	GROSS WEIGHT (kg)	QUANTITY	DIMENSIONS (cm)	GROSS WEIGHT(kg)	QUANTITY	DIMENSIONS (cm)	GROSS WEIGHT(kg)
F-069576	230 V	116	1	7.4 x 5.0 x 9.0	1.28	100	47 x 32 x 18	13.5	2500	120 x 80 x 150	357
F-066063	24 V	116	1	7.4 x 5.0 x 9.0	1.28	100	47 x 32 x 18	13.5	2500	120 x 80 x 150	357